



Pump-Fill Station

The BCH pump-fill station is a mobile pneumatically operated volumetric filler suitable for filling plastic casings with hot sauce for use with tumble chilling systems.

The machine features a stainless steel rotary actuated product valve, which operates in conjunction with a 30mm plunger cut off valve.

Filling volume is easily controlled by manually adjusted hand wheel with indicator for accurate and consistent filling volumes.

A pneumatic clipping head located adjacent to the filling head seals the bags, whilst a cutter blade automatically trims the bag opening simultaneous to the clipping action.

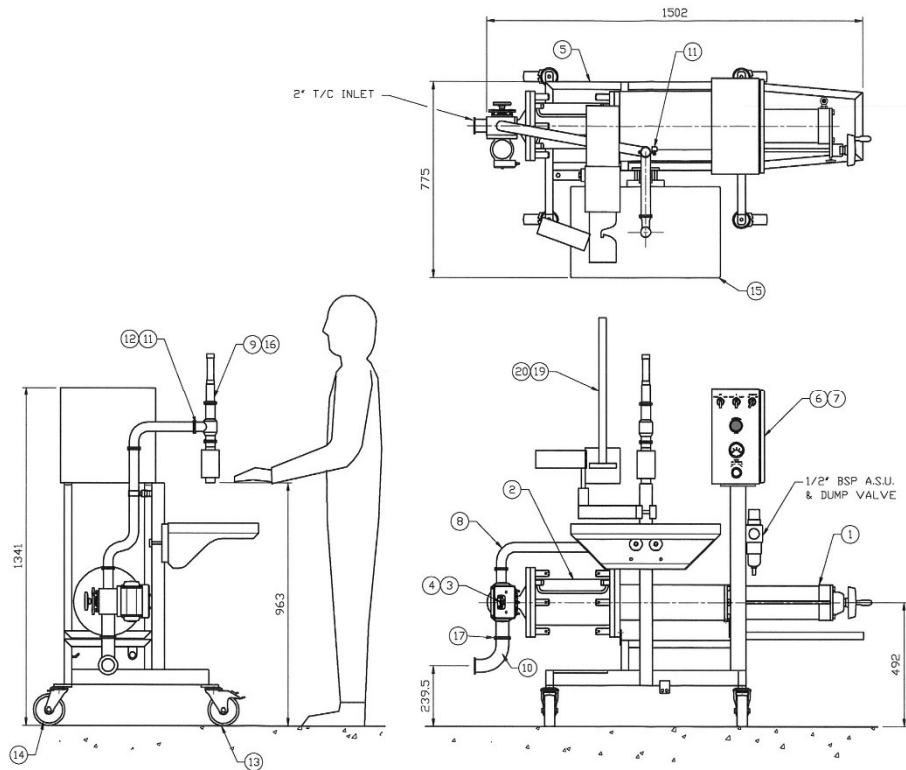
The unit is supplied with an adjustable working height handling table, along with an optional footswitch.





Technical Information

ITEM	PART NUMBER	DESCRIPTION	QTY
1	A10/11/317	Ø125 x 250mm STROKE MOTOR ASSY	1 OFF
2	A10/01/329	6.5" DIA x 250mm PUMP BARREL	1 OFF
3	A10/09/078	ROTARY VALVE ASSEMBLY	1 OFF
4	A10/01/390-7	ROTARY VALVE BODY	1 OFF
5	A17/91/107	MAIN FRAME FABRICATION	1 OFF
6	A01/01/232	PNEUMATIC CONTROL CIRCUIT	1 OFF
7	AE1006. 600	380 x 380 x 210mm ENCLOSURE	1 OFF
8	A14/06/566	RIGID PIPEWORK	1 SET
9	A05/05/797	Ø30 C.D.V. - 1.5" T/C OUTLET	1 OFF
10	A14/06/160	2" T/C x 90° ELBDW	1 OFF
11	1111004	1.5" TRICLOVER SEAL	5 OFF
12	1111002	1.5" TRICLOVER CLAMP	5 OFF
13	1111005	SWIVEL CASTOR - BRAKED	2 OFF
14	1111006	SWIVEL CASTOR - UNBRAKED	2 OFF
15	A16/01/070	TABLE ASSY (600 x 360mm)	1 OFF
16	A14/06/351	HEAT SHIELD TUBE	1 OFF
17	1111005	2" TRICLOVER SEAL	1 OFF
18	1111003	2" TRICLOVER CLAMP	1 OFF
19	TCV-Z406	CLIPPING UNIT	1 OFF
20	A16/01/148	CLIPPER ADJUSTABLE MOUNT	1 OFF



Stainless steel construction

Hygienic design

Compressed air powered, with an easy to operate control panel

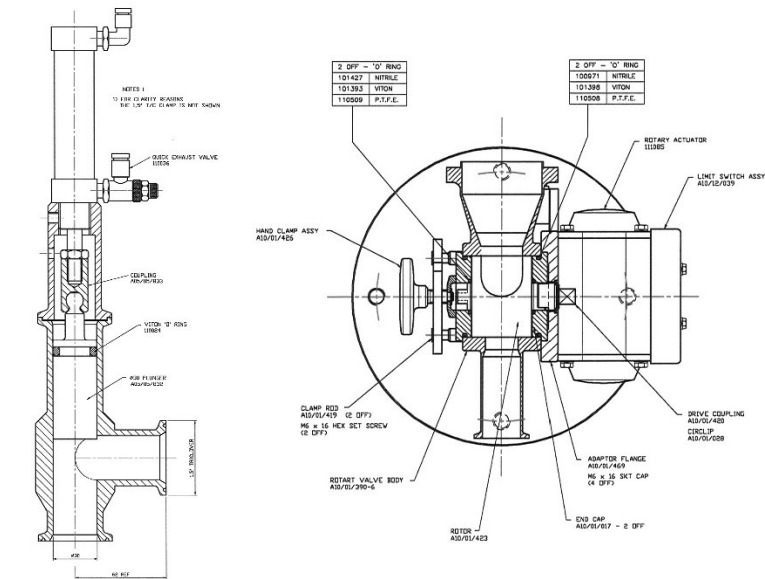
Bag support table

Pumps the majority of solids without damage

Optional temperature cut-out bypass for cold product

The BCH pump fill station can empty the contents of a 1000kg kettle within approx. 15 to 20 minutes, depending upon operator expertise

Options also available for stationary or mobile holding tanks to reduce kettle waiting time



BCH Ltd

Spring Place, Millfold, Whitworth, Lancashire, OL12 8DN, UK

T +44 (0)1706 852122

E info@bchltd.com

W www.bchltd.com